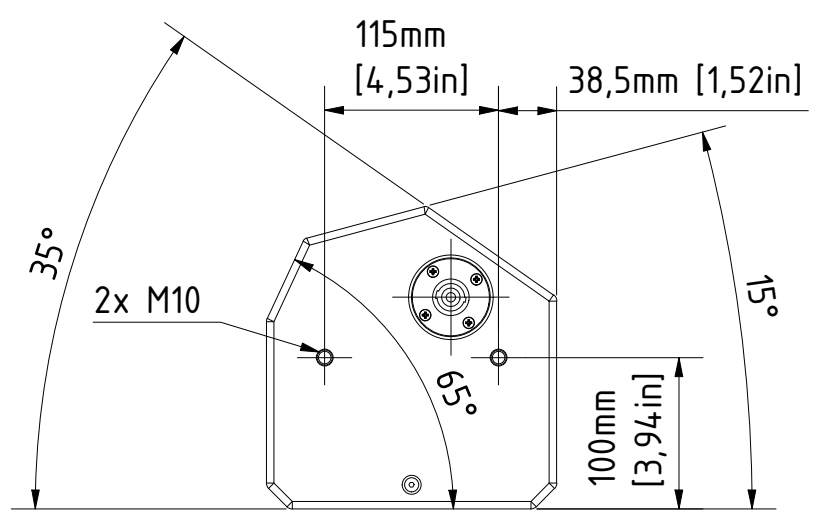
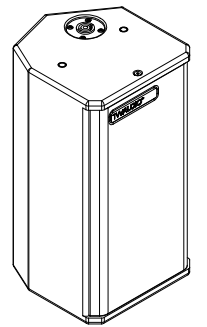
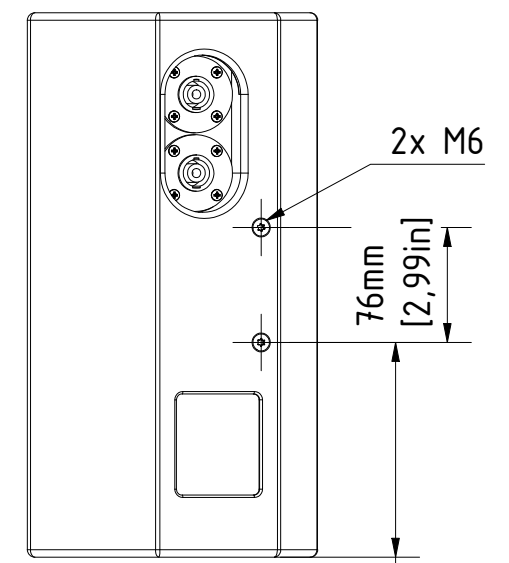
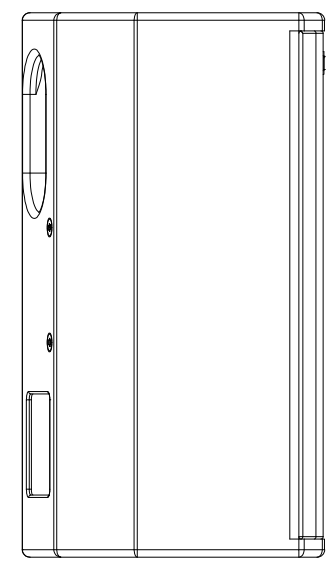
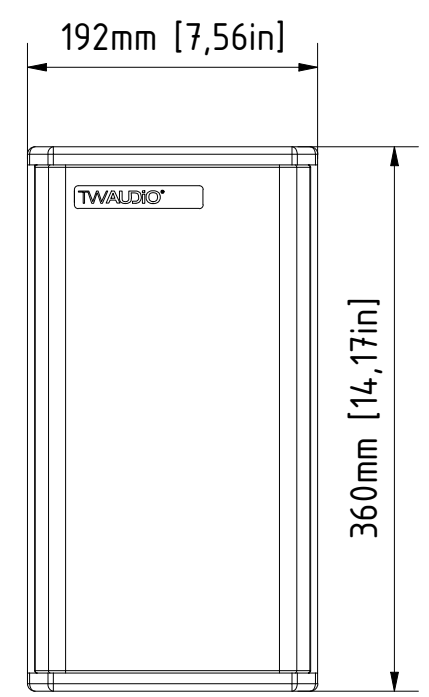
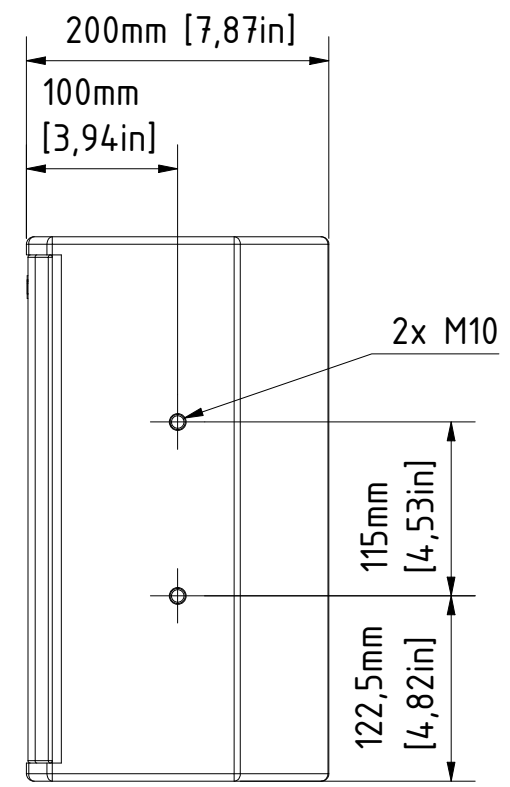


M6 left and right version shown in monitor use.



0		06.05.2019	Heike Konrad
rev. no.	description	date	modified by
revision process			
TWAUDIO® Osterholzallee 140-2 71636 Ludwigsburg www.twaudio.de	scale:		
	weight: 5,8 kg [13 lbs]	order number:	
All rights to this drawing reserved in accordance with ISO 16016. Copying and distribution by manufacturer's permission only.	document type: overview drawing	type: M6	
	status type: released	drawing number: TWA-M6-0001	
general tolerance ISO 2768-mK ISO 13920-BF ISO 9013-IIA/K according to ISO 8015	edges according to ISO 13715	date	name
	surfaces (Ra) array 2 array 3 according to DIN ISO 1302	constructed: 22.01.2010	Stefan Ullrich
	checked:	drawn: 02.03.2010	Stefan Ullrich
	approved: 06.05.2019	Heike Konrad	revision no.: 0
C:\CAD TW AUDIO\CAD-Daten\Produkte\M6\M6_kpl.iam		sheet: 1 1 A3	